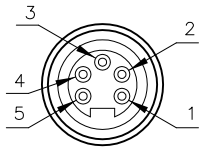
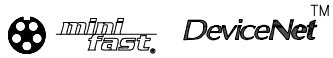


MALE END VIEW

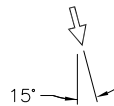
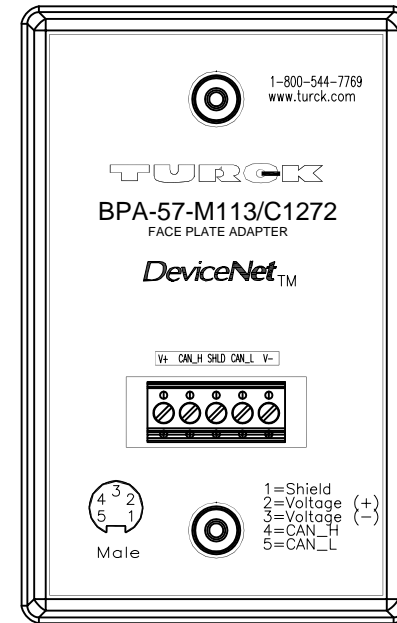
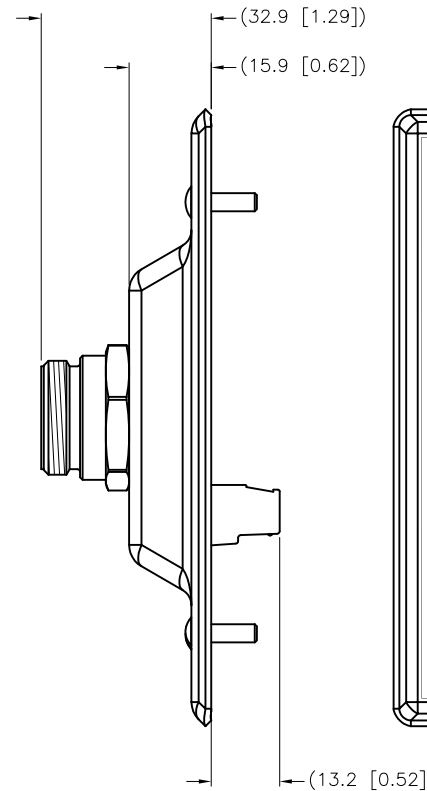
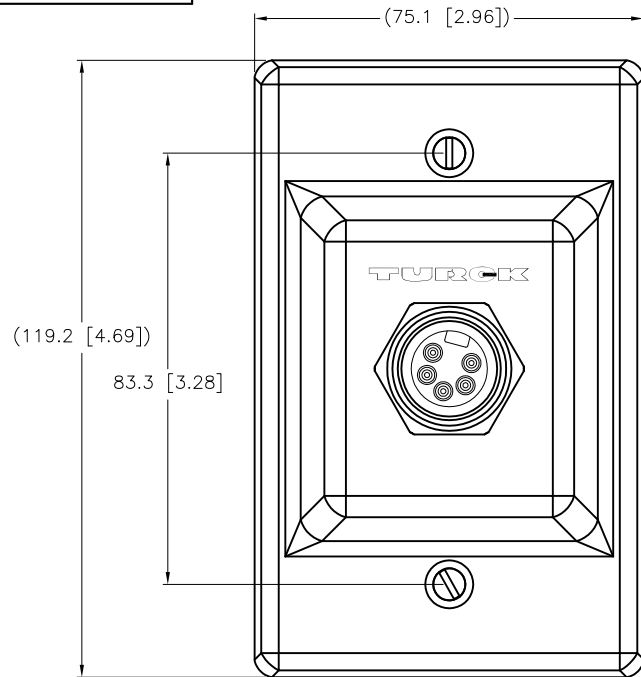


- 1 = BARE (SHIELD)
- 2 = RED (+ VOLTAGE)
- 3 = BLACK (- VOLTAGE)
- 4 = WHITE (CAN\_H)
- 5 = BLUE (CAN\_L)



SPECIFICATIONS

WALL PLATE MATERIAL	16 GA. 316 STAINLESS STEEL
RECEPTACLE HOUSING MATERIAL	STAINLESS STEEL, PASSIVATED
SEALING GASKET MATERIAL	CLOSED CELL POLYETHYLENE FOAM
MOUNTING HARDWARE (SUPPLIED)	6-32 SCREWS, STAINLESS STEEL
CONTACT CARRIERS/COLOR	TPU/BLUE
CONTACT MATERIAL/PLATING	BRASS/GOLD
OPERATING VOLTAGE	300 V
OPERATING CURRENT	9.0 A
PROTECTION CLASS to DIN 40050	IP 67 - ONLY WHEN ALL RECEPTACLES ARE COVERED WITH PLUGS OR CONNECTED
OPERATING TEMPERATURE	-40°C to +70°C (-40°F to +158°F)



SOURCE DRAWING - FOR REFERENCE ONLY

NOTES:

1) GASKET NOT SHOWN FOR CLARITY.

↑ = 90° CORDSET CABLE DIRECTION

RELATED DOCUMENTS 1. 2. 3. 4.	3RD ANGLE PROJECTION	THIS DRAWING IS CONFIDENTIAL AND THE PROPERTY OF TURCK INC. USE OF THIS DOCUMENT WITHOUT WRITTEN PERMISSION IS PROHIBITED.		3000 CAMPUS DRIVE MINNEAPOLIS, MN 55441 1-800-544-7769 (763) 553-7300 (763) 553-0708 fax www.turck.us	
	MATERIAL	DRFT TR	DATE 07/18/07	DESCRIPTION BPA-57-M113/C1272	
FINISH	ALL DIMENSIONS DISPLAYED ON THIS DRAWING ARE FOR REFERENCE ONLY	DSGN	SCALE 1=1.5	IDENTIFICATION NO. U3-10619	
		UNIT OF MEASUREMENT MILLIMETER [ INCH ]		REV B	
CONTACT TURCK FOR MORE INFORMATION		DO NOT SCALE THIS DRAWING		FILE: u3-10619	SHEET 1 OF 1

B	DRAWING PROCESSED AS PART OF ECO 33971	CBM	04/07/11	33971
REV	DESCRIPTION	BY	DATE	ECO NO.